



# CIVIL CONSTRUCTION

## WATER MANAGEMENT SOLUTIONS



800.992.1725 | [WWW.PRINSCO.COM](http://WWW.PRINSCO.COM)

FIND US ON:    



*Prinsco is built on family values and focused on the future. Our products are designed, manufactured and tested to meet and exceed the high performance needs and expectations of the construction market. Prinsco's engineering, quality control and production teams are committed to a continuous process of innovation, product development and quality improvement. We are focused on current and future market needs centered around environmental sustainability, water quality, water management and performance advancement.*

*Prinsco. Offering premium, high performance products engineered with integrity.*

**CORPORATE HEADQUARTERS**

1717 16th Street NE  
Willmar, MN 56201

Phone: 320.222.6800  
Toll Free: 800.992.1725  
Fax: 320.222.6820

www.prinsco.com  
agblog.prinsco.com

FIND US ON:



**WATER MANAGEMENT**

ECOFLO® 100 Product Information .....	X
GOLDFLO WT® Product Information.....	X
GOLDFLO® Product Information .....	X
INTEGRITY® FITTINGS Product Information .....	X
DETENTION SYSTEMS Product Information.....	X
STORMWATER QUALITY UNIT Product Information .....	X
GOLDLINE® Product Information .....	X

**ACCESSORIES**

GOLDFLO WT® / GOLDFLO® / ECOFLO® 100 .....	X - XX
GOLDLINE® .....	X

ECOFLO® 100

ECOFLO®100 is an industry first: a high density polyethylene pipe containing a minimum of 40% recycled HDPE and engineered to provide a 100 year service life. It offers material performance exceeding the requirements of AASHTO M294 or ASTM F2306, and is the ideal choice for high-volume watertight gravity-flow drainage applications where an environmentally conscious product is in demand.

**Available Sizes:**

Diameter	Number	Nominal Length
4"	4EF20NP	20'
6"	6EF20NP	20'
8"	8EF20NP	20'
10"	10EF20NP	20'
12"	12EF20NP	10'/20'
15"	15EF20NP	10'/20'
18"	18EF20NP	11'/20'
24"	24EF20NP	11'/20'
30"	30EF20NP	11'/20'
36"	36EF20NP	11'/20'
42"	42EF20NP	11'/20'
48"	48EF20NP	11'/20'
60"	60EF20NP	11'/20'

Some sizes may be special order.

**ECOFLO® 100 ACCESSORIES:**

See pages xx-xx



**Industry Standards:**

**ECOFLO®100 pipe meets the following:**

- ✓ ASTM F 2306: Standard Specification for 12" - 60" (300 - 1500 mm) Annular Corrugated Profile-Wall Polyethylene (PE) Pipe and Fittings for Gravity-Flow Storm Sewer and Subsurface Drainage Applications\*
- ✓ AASHTO M 294: Standard Specification for Corrugated Polyethylene Pipe, 300 - 1500 mm Diameter\*
- ✓ ASTM F 477: Standard Specification for Elastomeric Seals (Gaskets) for Joining Plastic Pipe
- ✓ ASTM D 3212: Standard Specification for Joints for Drain and Sewer Plastic Pipes Using Flexible Elastomeric Seals

*\*= ECOFLO® 100 meets the material and finished product performance requirements of this standard but is manufactured with a minimum of 50% recycled content.*



ECOFLO® 100

**ECOFLO® 100 meets or exceeds AASHTO M294.**

**APPLICATIONS\*:**

- ✓ Storm Sewer
- ✓ Highway Drainage
- ✓ Parking Lot Drainage
- ✓ Storm Water Detention systems
- ✓ Industrial Applications
- ✓ Ditch Enclosures
- ✓ Ag Drainage Mains

*\*Contact your Prinsco representative regarding application suitability questions*

GOLDFLO WT® provides unsurpassed performance for watertight stormwater conveyance and management. It is designed and manufactured with state-of-the-art methods ensuring maximum material performance and maximum structural performance.

## GOLDFLO WT®: Available Sizes

Diameter	Number	Nominal Length
4"	4WT20NP	20'
6"	6WT20NP	20'
8"	8WT20NP	20'
10"	10WT20NP	20'
12"	12WT10NP/12WT20NP	10'/20'
15"	15WT10NP/15WT20NP	10'/20'
18"	18WT11NP/18WT20NP	11'/20'
24"	24WT11NP/24WT20NP	11'/20'
30"	30WT11NP/30WT20NP	11'/20'
36"	36WT11NP/36WT20NP	11'/20'
42"	42WT11NP/42WT20NP	11'/20'
48"	48WT11NP/48WT20NP	11'/20'
60"	60WT11NP/60WT20NP	11'/20'

(pipe is available perforated)

## GOLDFLO WT® ACCESSORIES:

See pages xx-xx



## Industry Standards

**GOLDFLO WT® pipe meet the following:**

- ✓ ASTM F 2306: Standard Specification for 12" - 60" (300 - 1500 mm) Annular Corrugated Profile-Wall Polyethylene (PE) Pipe and Fittings for Gravity-Flow Storm Sewer and Subsurface Drainage Applications
- ✓ ASHTO M 252: Standard Specification for Corrugated Polyethylene Drainage Pipe
- ✓ AASHTO M 294: Standard Specification for Corrugated Polyethylene Pipe, 300 - 1500 mm Diameter
- ✓ ASTM F 477: Standard Specification for Elastomeric Seals (Gaskets) for Joining Plastic Pipe
- ✓ ASTM D 3212: Standard Specification for Joints for Drain and Sewer Plastic Pipes using Flexible Elastomeric Seals



GOLDFLO® is manufactured to the most stringent requirements of AASHTO M294 or ASTM F2306, along with the ASTM D3212 watertight laboratory test requirements, making it ideal for projects where low cost, high installation efficiency, high product quality, and maximum watertight performance are critical.

**GOLDFLO®: Available Sizes**

Diameter	Number	Nominal Length
4"	04GF20NP	20'
6"	06GF20NP	20'
8"	08GF20NP	20'
10"	10GF20NP	20'
12"	12GF20NP	20'
15"	15GF20NP	20'
18"	18GF20NP	20'
24"	24GF20NP	20'
30"	30GF20NP	20'
36"	36GF20NP	20'

(pipe is available perforated)

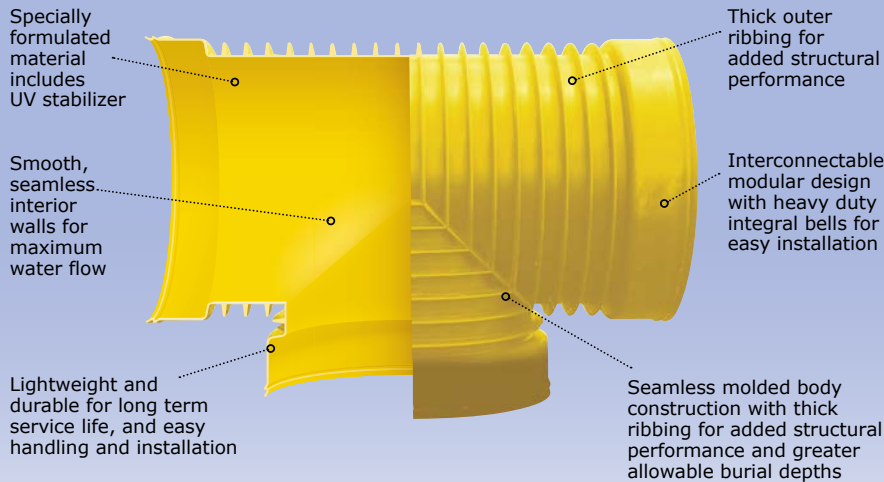
**Industry Standards**

**GOLDFLO® pipe meet the following:**

- ✓ ASTM F 2306: Standard Specification for 12" - 60" (300 - 1500 mm) Annular Corrugated Profile-Wall Polyethylene (PE) Pipe and Fittings for Gravity-Flow Storm Sewer and Subsurface Drainage Applications
- ✓ ASHTO M 252: Standard Specification for Corrugated Polyethylene Drainage Pipe
- ✓ AASHTO M 294: Standard Specification for Corrugated Polyethylene Pipe, 300 - 1500 mm Diameter
- ✓ ASTM F 477: Standard Specification for Elastomeric Seals (Gaskets) for Joining Plastic Pipe
- ✓ ASTM D 3212: Standard Specification for Joints for Drain and Sewer Plastic Pipes using Flexible Elastomeric Seals



**GOLDFLO® ACCESSORIES:** See pages xx-xx



## INTEGRITY<sup>®</sup> TEE

Prinsco's Integrity Tees feature a breakthrough seamless design offering unsurpassed watertight and structural performance. These patent-pending fittings were designed specifically to allow for increased cover heights and greater strength for AASHTO H-25 vehicular loads while consistently providing watertight performance.



## Industry Standards

### INTEGRITY TEES meets the following:

- ✓ ASTM F 2306: Standard Specification for 12" - 60" (300 - 1500 mm) Annular Corrugated Profile-Wall Polyethylene (PE) Pipe and Fittings for Gravity-Flow Storm Water and Subsurface Drainage
- ✓ AASHTO M 294: Standard Specification for Corrugated Polyethylene Pipe, 300 - 1500 mm Diameter\*
- ✓ ASTM F477: Standard Specification for Elastomeric Seals (Gaskets) for Joining Plastic Pipe
- ✓ ASTM D 3212: Standard Specification for Joints for Drain and Sewer Plastic Pipes Using Flexible Elastomeric Seals

\* See our Integrity TEE Product Specification at [www.prinsco.com](http://www.prinsco.com) for details.

### INTEGRITY TEES

Diameter*	Number
12"	ILTWT1212
15"	ILTWT1515
18"	ILTWT1818
24"	ILTWT2424
30"	ILTWT3030
36"	ILTWT3636
42"	ILTWT4242
48"	ILTWT4848
60"	ILTWT6060

### WATERTIGHT INTEGRITY FITTING RIB GASKET

Used to connect Integrity Line of fittings directly to each other

36"	ILGSKR36WT	Each
42"	ILGSKR42WT	Each
48"	ILGSKR48WT	Each
60"	ILGSKR60WT	Each

### WATERTIGHT INTEGRITY SADDLE GASKET

Used to connect Integrity Line of Fittings to Prinsco GOLDFLO/ECOFLO pipe

12"	GFGSK12WT	Each
15"	GFGSK15WT	Each
18"	GFGSK18WTMW	Each
18"	GFGSK18WTWC	Each
24"	GFGSK24WTMN	Each
24"	GFGSK24WTWC	Each
30"	GFGSK30WTMW	Each
30"	GFGSK30WTWC	Each
36"	GFGSK36WTMW	Each
36"	GFGSK36WTWC	Each
42"	GFGSK42WTMW	Each
42"	GFGSK42WTWC	Each
48"	GFGSK48WTMW	Each
48"	GFGSK48WTWC	Each
60"	GFGSK60WT	Each

Prinsco's underground detention systems are completely customizable to your unique project and can be designed with the support of our Prinsco engineering team.

Our detention systems can be perforated, allowing for percolation into the soil for groundwater recharge, or solid, containing the storm event for a controlled release into a municipal storm sewer. Headers and Laterals combine to create an "underground pond" allowing valuable land to be utilized for green-space, parking lots and more. Prinsco systems are closed, mitigating the health risks and safety hazards associated with an open pond.

## Retention/Detention System Storage Capacities\*

DIAMETER (IN.)	PIPE VOLUME (CF/LF)	STONE VOID VOLUME (CF/LF)	TOTAL RETENTION STORAGE (CF/LF)	TOTAL DETENTION STORAGE (CF/LF)
12	0.8	0.9	1.7	0.8
15	1.2	1.1	2.3	1.2
18	1.8	1.6	3.4	1.8
24	3.2	2.6	5.8	3.2
30	4.8	3.5	8.2	4.8
36	6.9	4.2	11.2	6.9
42	9.4	5.3	14.7	9.4
48	12.6	6.6	19.2	12.6
60	19.4	9.9	29.3	19.4

\*Storage capacities based on conservative values. Stone void volumes are based on a stone porosity of 40%.

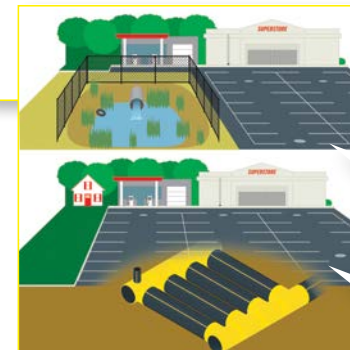
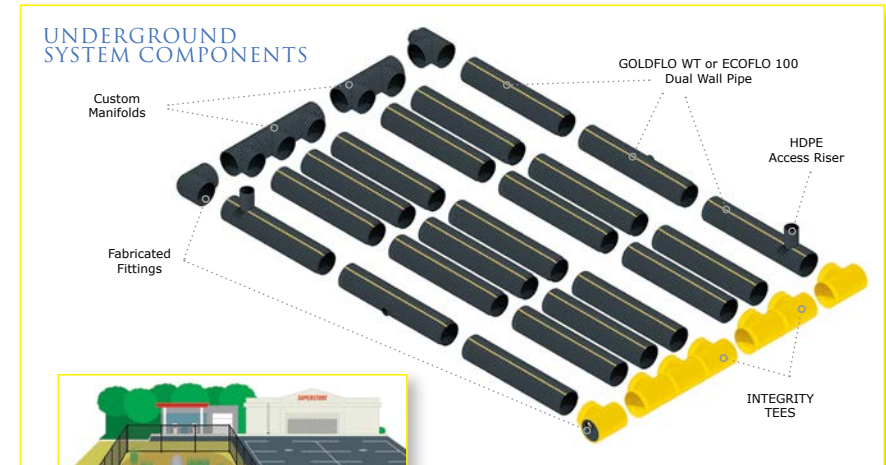


## Available Sizes

PIPE DIAMETER (IN.)	BEDDING DEPTH TO TRENCH WALL (IN.)*	MINIMUM "V" (IN.)*	MINIMUM "X" (IN.)*	MINIMUM "M"+ (IN.)*
12	4	12	8	12
15	4	12	8	12
18	4	12	9	12
24	4	12	10	12
30	4	12	18	15
36	4	12	18	18
42	6	15	18	21
48	6	18	18	24
60	6	18	18	30

## Installation Recommendations

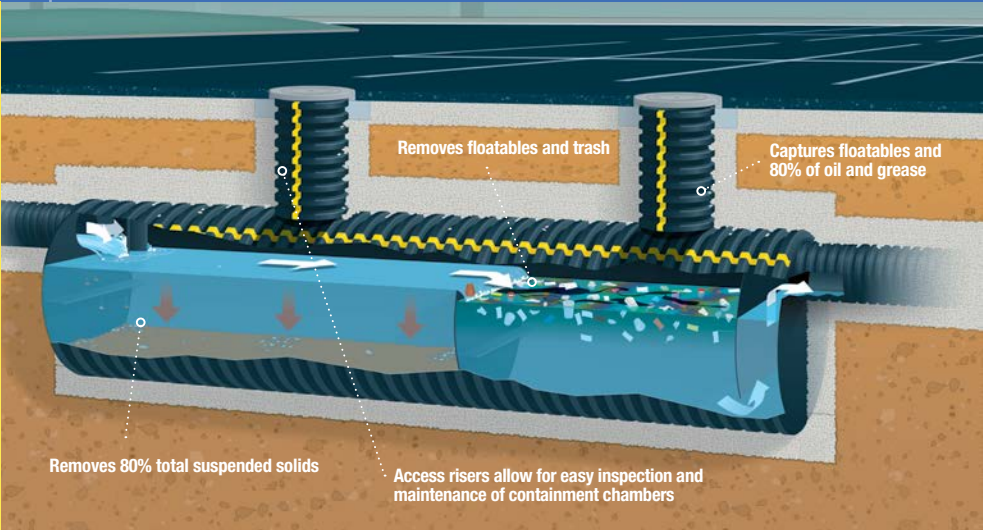
PIPE DIAMETER (IN.)	BEDDING DEPTH TO TRENCH WALL (IN.)*	MINIMUM "V" (IN.)*	MINIMUM "X" (IN.)*	MINIMUM "M"+ (IN.)*
12	4	12	8	12
15	4	12	8	12
18	4	12	9	12
24	4	12	10	12
30	4	12	18	15
36	4	12	18	18
42	6	15	18	21
48	6	18	18	24
60	6	18	18	30



Above Ground System

Underground System

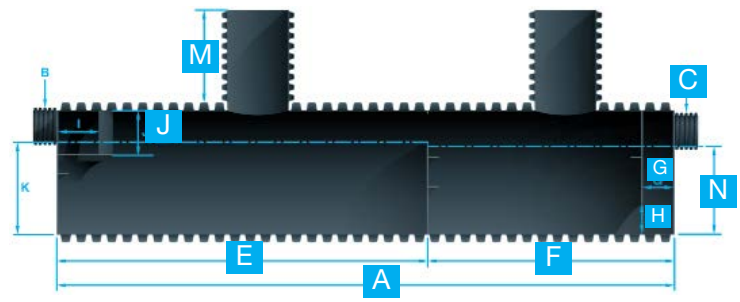




### Industry Standards

- Prinsco's Stormwater Quality Units meet the following:
- ✓ ASTM F 2306: Standard Specification for 12" - 60" (300 - 1500 mm) Annular Corrugated Profile-Wall Polyethylene (PE) Pipe and Fittings for Gravity-Flow Storm Sewer and Subsurface Drainage Applications
  - ✓ AASHTO M 252: Standard Specification for Corrugated Polyethylene Drainage Pipe
  - ✓ AASHTO M 294: Standard Specification for Corrugated Polyethylene Pipe, 300 - 1500 mm Diameter
  - ✓ ASTM F 477: Standard Specification for Elastomeric Seals (Gaskets) for Joining Plastic Pipe
  - ✓ ASTM D 3212: Standard Specification for Joints for Drain and Sewer Plastic Pipes using Flexible Elastomeric Seals

As part of Prinsco's water management product portfolio, the Prinsco Stormwater Quality Unit is designed to treat stormwater to remove debris collected in runoff including, trash, sediment, oils, and other suspended solids. The Prinsco SWQU offers an extremely cost-effective alternative to heavier concrete units and can be installed quicker with smaller equipment, allowing further cost savings. The following product codes are for standard units to meet common project criteria, however, we can assist you in the sizing of a custom SWQU to most cost effectively meet your performance requirements.



### Available Sizes

Product Name	SWQU Diameter	SWQU Length (A), ft	Sediment Chamber Storage Volume ft <sup>3</sup>	Oil Chamber Storage Volume ft <sup>3</sup>	Total Storage Volume ft <sup>3</sup>	Inlet Stub Diameter (B)	Sediment Chamber Length (E), in.	Oil Chamber Length (F), in.	Outlet Chamber Length (G), in.	Max Treated Flow Rate @ 140 Sieve Size (CFS)	Max Treated Flow Rate @ 200 Sieve Size (CFS)
WQU3620	36"	20'	72	42	114	10"	144	84	12	1.51	0.75
WQU3640	36"	40'	152	82	234.1	10"	304	164	12	3.21	1.6
WQU4220	42"	20'	92.9	54.2	147.1	12"	144	84	12	1.77	0.88
WQU4240	42"	40'	196.1	105.8	301.9	12"	304	164	12	3.74	1.86
WQU4820	48"	20'	121.3	70.8	192.1	12"	144	84	12	2.31	1.15
WQU4840	48"	40'	256.1	132.2	394.3	12"	304	164	12	4.88	2.44
WQU6020	60"	20'	172.7	100.7	273.5	15"	144	84	12	2.97	1.48
WQU6040	60"	40'	364.6	196.7	561.3	15"	304	164	12	6.28	3.14





GOLDLINE®



GOLDLINE® is soil-tight, high density polyethylene plastic pipe. It is available in mini rolls, maxi rolls, and 10- and 20-foot stick lengths. GOLDLINE® is available in perforated (slots), drilled (holes) or non-perforated configurations, and can be supplied with high performance geotextile fabric.



GOLDLINE®

**PERFORATED LENGTHS**

Diameter	Number	Length	Unit
3"	030010PF	10'	100'
4"	040010LBC	10'	100'
4"	040010PFC	10'	100'
4"	040020PF	20'	20'
6"	060020PF	20'	20'
8"	080020PF	20'	20'
10"	100020PF	20'	20'
12"	120020PF	20'	20'
15"	150020PF	20'	20'

**NON-PERFORATED LENGTHS**

Diameter	Number	Length	Unit
3"	030010NP	10'	100'
4"	040010NPC	10'	100'
4"	040020NP	20'	20'
6"	060020NP	20'	20'
8"	080020NP	20'	20'
10"	100020NP	20'	20'
12"	120020NP	20'	20'
15"	150020NP	20'	20'

**NON-PERFORATED LENGTHS WITH LOCK-FAST® COUPLER**

Diameter	Number	Length	Unit
8"	080010NPC	10'	10'
10"	100010NPC	10'	10'
12"	120010NPC	10'	10'
15"	150010NPC	10'	10'

**GOLDLINE® ACCESSORIES:** See pages xx-xx



**GOLDLINE®**  
*Our single-wall  
 pipe coils handle  
 and haul easily.*

**PIPE WITH NON-WOVEN FABRIC WRAP**

Diameter	Number	Length	Unit
3"	030300HF	300'	Mini
3"	035300HF	5,300'	Maxi
4"	040100HF	100'	Micro
4"	040250HF	250'	Mini
4"	043000HF	3,000'	Maxi
6"	060100HF	100'	Mini
6"	061450HF	1,450'	Maxi
8"	080825HF*	825'	Maxi

\*Special Order Items. Note: Geotextile fabric specifications are available upon request.

**NON-PERFORATED COILS**

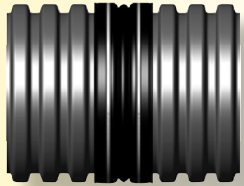
Diameter	Number	Length	Unit
3"	030100NP	100'	Micro
3"	030300NP	300'	Mini
3"	035300NP	5,300'	Maxi
4"	040100NP	100'	Micro
4"	040250NP	250'	Mini
4"	043000NP	3,000'	Maxi
5"	050165NP	165'	Mini
5"	052300NP	2,300'	Maxi
6"	060100NP	100'	Mini
6"	061450NP	1,450'	Maxi
8"	080390NP	390'	Mini
8"	080825NP	825'	Maxi
10"	100525NP	525'	Maxi
12"	120320NP	320'	Maxi

**PIPE WITH KNITTED POLYESTER WRAP**

Diameter	Number	Length	Unit
3"	030100SF	100'	Micro
3"	030300SF	300'	Mini
3"	035300SF*	5,300'	Maxi
4"	040100SF	100'	Micro
4"	040250SF	250'	Mini
4"	043000SF	3,000'	Maxi
5"	050165SF	165'	Mini
5"	052300SF	2,300'	Maxi
6"	060100SF	100'	Mini
6"	061450SF	1,450'	Maxi
8"	080020SF*	20'	Stick
8"	080390SF	390'	Mini
8"	080825SF	825'	Maxi
10"	100020SF*	20'	Stick
10"	100525SF	525'	Maxi
12"	120020SF*	20'	Stick
12"	120320SF	320'	Maxi
15"	150020SF*	20'	Stick

\*Fabric should not be used when installing in heavy soils (such as clay or loam) because it will inhibit water from entering the pipe.

**NEW! GOLDLOK™**  
couplers from  
**Prinsco!**



**WATERTIGHT GOLDLOK™ COUPLER**

Size	Number
12"	GFWTS12
15"	GFWTS15
18"	GFWTS18
24"	GFWTS24
30"	GFWTS30
36"	GFWTS36
42"	GFWTS42
48"	GFWTS48
60"	GFWTS60



**SOIL TIGHT SPLIT COUPLER**

Size	Number
4"	SC04
6"	SC06
8"	SC08
10"	SC10
12"	SC12
15"	SC15H
18"	SC18
24"	SC24
30"	SC30
36"	SC36



**ELBOW - 22.5°**

Size	Number
4"	GFE0422
6"	GFE0622
8"	GFE0822
10"	GFE1022
12"	GFE1222
15"	GFE1522
18"	GFE1822
24"	GFE2422
30"	GFE3022
36"	GFE3622
42"	GFE4222
48"	GFE4822
60"	GFE6022



**ELBOW - 90° (2-Piece)**

Size	Number
4"	GFE04902
6"	GFE06902
8"	GFE08902
10"	GFE10902
12"	GFE12902
15"	GFE15902
18"	GFE18902
24"	GFE24902
30"	GFE30902
36"	GFE36902
42"	GFE42902
48"	GFE48902
60"	GFE60902

**MARMAC COUPLER**

Size	Number
4"	MM4
6"	MM6
8"	MM8
10"	MM10
12"	MM12
15"	MM15
18"	MM18
24"	MM24
30"	MM30
36"	MM36
42"	MM42
48"	MM48
60"	MM60



**ELBOW - 45°**

Size	Number
4"	GFE0445
6"	GFE0645
8"	GFE0845
10"	GFE1045
12"	GFE1245
15"	GFE1545
18"	GFE1845
24"	GFE2445
30"	GFE3045
36"	GFE3645
42"	GFE4245
48"	GFE4845
60"	GFE6045



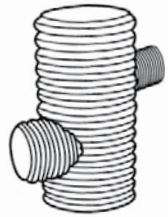
**ELBOW - 90° (3-Piece)**

Size	Number
4"	GFE0490
6"	GFE0690
8"	GFE0890
10"	GFE1090
12"	GFE1290
15"	GFE1590
18"	GFE1890
24"	GFE2490
30"	GFE3090
36"	GFE3690
42"	GFE4290
48"	GFE4890
60"	GFE6090

**GASKET FOR SNAP COUPLER**

Size	Number
4"	GFGSK04
6"	GFGSK06
8"	GFGSKOR08
10"	GFGSK10





### PRINSCO DUAL-WALL CATCH BASINS

Made to project specifications, maximum height up to 8'.

Size	Number	Unit
12"	GFCB12	Each
15"	GFCB15	Each
18"	GFCB18	Each
24"	GFCB24	Each
30"	GFCB30	Each
36"	GFCB36	Each
42"	GFCB42	Each
48"	GFCB48	Each
60"	GFCB60	Each



### REDUCER (One-Step)

Size	Reducer
6"	Avail. in 4"
8"	Avail. in 4"-6"
10"	Avail. in 4"-8"
12"	Avail. in 4"-10"
15"	Avail. in 4"-12"
18"	Avail. in 4"-15"
24"	Avail. in 4"-18"
30"	Avail. 4"-24"
36"	Avail. 4"-30"
42"	Avail. 4"-36"
48"	Avail. 4"-42"
60"	Avail. 4"-48"



### TEE

Size	Number
4"	GFT0404
6"	GFT0606
8"	GFT0808
10"	GFT1010
12"	GFT1212
15"	GFT1515
18"	GFT1818
24"	GFT2424
30"	GFT3030
36"	GFT3636
42"	GFT4242
48"	GFT4848
60"	GFT6060



### CROSS TEE

Size	Number
4"	GFCT04
6"	GFCT06
8"	GFCT08
10"	GFCT10
12"	GFCT12
15"	GFCT15
18"	GFCT18
24"	GFCT24



### WYE - 45°

Size	Number
4"	GFY0404
6"	GFY0606
8"	GFY0808
10"	GFY1010
12"	GFY1212
15"	GFY1515
18"	GFY1818
24"	GFY2424



### SADDLE TEES

Size	Number
GFST1004	10" 10" TO 4"
GFST1006	10" TO 6"
GFST1008	10" TO 8"
GFST1204	12" 12" TO 4"
GFST1206	12" TO 6"
GFST1208	12" TO 8"
GFST1210	12" TO 10"
GFST1504	15" 15" X 4"
GFST1506	15" X 6"
GFST1508	15" X 8"
GFST1510	15" X 10"
GFST1512	15" X 12"
GFST1804	18" 18" X 4"
GFST1806	18" X 6"
GFST1808	18" X 8"
GFST1810	18" X 10"
GFST1812	18" X 12"
GFST1815	18" X 15"
GFST2404	24" 24" X 4"
GFST2406	24" X 6"
GFST2408	24" X 8"
GFST2410	24" X 10"
GFST2412	24" X 12"
GFST3004	30" 30" X 4"
GFST3006	30" X 6"
GFST3008	30" X 8"
GFST3010	30" X 10"
GFST3012	30" X 12"



[www.prinsco.com](http://www.prinsco.com) for

- installation guides
- technical documents
- applications



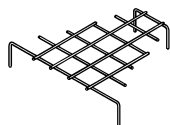
### REDUCING WYES

Size	Number	Size	Number		
GFY0604	6"	6" X 4" Wye	GFY0604	36"	36" X 4" Wye
GFY0804	8"	8" X 4" Wye	GFY3606		36" X 6" Wye
GFY0806		8" X 6" Wye	GFY3608		36" X 8" Wye
GFY1004	10"	10" X 4" Wye	GFY3610		36" X 10" Wye
GFY1006		10" X 6" Wye	GFY3612		36" X 12" Wye
GFY1008		10" X 8" Wye	GFY3615		36" X 15" Wye
GFY1204	12"	12" TO 4" Wye	GFY3618		36" X 18" Wye
GFY1206		12" TO 6" Wye	GFY3624		36" X 24" Wye
GFY1208		12" TO 8" Wye	GFY4204	42"	42" X 4" Wye
GFY1210		12" TO 10" Wye	GFY4206		42" X 6" Wye
GFY1504	15"	15" X 4" Wye	GFY4208		42" X 8" Wye
GFY1506		15" X 6" Wye	GFY4210		42" X 10" Wye
GFY1508		15" X 8" Wye	GFY4212		42" X 12" Wye
GFY1510		15" X 10" Wye	GFY4215		42" X 15" Wye
GFY1512		15" X 12" Wye	GFY4218		42" X 18" Wye
GFY1804	18"	18" X 4" Wye	GFY4224		42" X 24" Wye
GFY1806		18" X 6" Wye	GFY4804	48"	48" X 4" Wye
GFY1808		18" X 8" Wye	GFY4806		48" X 6" Wye
GFY1810		18" X 10" Wye	GFY4808		48" X 8" Wye
GFY1812		18" X 12" Wye	GFY4810		48" X 10" Wye
GFY1815		18" X 15" Wye	GFY4812		48" X 12" Wye
GFY2404	24"	24" X 4" Wye	GFY4815		48" X 15" Wye
GFY2406		24" X 6" Wye	GFY4818		48" X 18" Wye
GFY2408		24" X 8" Wye	GFY4824		48" X 24" Wye
GFY2410		24" X 10" Wye	GFY6004	60"	60" X 4" Wye
GFY2412		24" X 12" Wye	GFY6006		60" X 6" Wye
GFY2415		24" X 15" Wye	GFY6008		60" X 8" Wye
GFY2418		24" X 18" Wye	GFY6010		60" X 10" Wye
GFY3004	30"	30" X 4" Wye	GFY6012		60" X 12" Wye
GFY3006		30" X 6" Wye	GFY6015		60" X 15" Wye
GFY3008		30" X 8" Wye	GFY6018		60" X 18" Wye
GFY3010		30" X 10" Wye	GFY6024		60" X 24" Wye
GFY3012		30" X 12" Wye			
GFY3015		30" X 15" Wye			
GFY3018		30" X 18" Wye			

### REDUCING TEES

Size	Number	Size	Number		
GFT0604	6"	6" TO 4" Tee	GFT4204		42" TO 4" Tee
GFT0804	8"	8" TO 4" Tee	GFT4206		42" TO 6" Tee
GFT0806		8" TO 6" Tee	GFT4208		42" TO 8" Tee
GFT1004		10" TO 4" Tee	GFT4210		42" TO 10" Tee
GFT1006	10"	10" TO 6" Tee	GFT4212	42"	42" TO 12" Tee
GFT1008		10" TO 8" Tee	GFT4215		42" TO 15" Tee
GFT1204		12" TO 4" Tee	GFT4218		42" TO 18" Tee
GFT1206	12"	12" TO 6" Tee	GFT4224		42" TO 24" Tee
GFT1208		12" TO 8" Tee	GFT4230		42" TO 30" Tee
GFT1210		12" TO 10" Tee	GFT4236		42" TO 36" Tee
GFT1504		15" TO 4" Tee	GFT4804		48" TO 4" Tee
GFT1506		15" TO 6" Tee	GFT4806		48" TO 6" Tee
GFT1508	15"	15" TO 8" Tee	GFT4808		48" TO 8" Tee
GFT1510		15" TO 10" Tee	GFT4810		48" TO 10" Tee
GFT1512		15" TO 12" Tee	GFT4812	48"	48" TO 12" Tee
GFT1804		18" TO 4" Tee	GFT4815		48" TO 15" Tee
GFT1806		18" TO 6" Tee	GFT4818		48" TO 18" Tee
GFT1808	18"	18" TO 8" Tee	GFT4824		48" TO 24" Tee
GFT1810		18" TO 10" Tee	GFT4830		48" TO 30" Tee
GFT1812		18" TO 12" Tee	GFT4836		48" TO 36" Tee
GFT1815		18" TO 15" Tee	GFT4842		48" TO 42" Tee
GFT2404		24" TO 4" Tee	GFT6004		60" TO 4" Tee
GFT2406		24" TO 6" Tee	GFT6006		60" TO 6" Tee
GFT2408		24" TO 8" Tee	GFT6008		60" TO 8" Tee
GFT2410	24"	24" TO 10" Tee	GFT6010		60" TO 10" Tee
GFT2412		24" TO 12" Tee	GFT6012		60" TO 12" Tee
GFT2415		24" TO 15" Tee	GFT6015	60"	60" TO 15" Tee
GFT2418		24" TO 18" Tee	GFT6018		60" TO 18" Tee
GFT3004		30" TO 4" Tee	GFT6024		60" TO 24" Tee
GFT3006		30" TO 6" Tee	GFT6030		60" TO 30" Tee
GFT3008		30" TO 8" Tee	GFT6036		60" TO 36" Tee
GFT3010	30"	30" TO 10" Tee	GFT6042		60" TO 42" Tee
GFT3012		30" TO 12" Tee	GFT6048		60" TO 48" Tee
GFT3015		30" TO 15" Tee			
GFT3018		30" TO 18" Tee			
GFT3024		30" TO 24" Tee			
GFT3604		36" TO 4" Tee			
GFT3606		36" TO 6" Tee			
GFT3608		36" TO 8" Tee			
GFT3610	36"	36" TO 10" Tee			
GFT3612		36" TO 12" Tee			
GFT3615		36" TO 15" Tee			
GFT3618		36" TO 18" Tee			
GFT3624		36" TO 24" Tee			
GFT3630		36" TO 30" Tee			





### TRASH GUARD

Used on flared end sections with 3:1 slopes to help keep debris out and prevent clogging.

Size	Number	Unit
8"	TGS08	Each
10"	TGS10	Each
12"	TGS12	Each
15"	TGS15	Each
18"	TGS18P1215	Each
24"	TGS24P18	Each
30"	TGS30P24	Each
36"	TGS36P3036	Each
42"	TGS42	Each
48"	TGS48	Each
60"	TGS60	Each

### GALVANIZED TRASH GUARD

Used on flared end sections with 3:1 slopes to help keep debris out and prevent clogging.

Size	Number	Unit
12"	GTG12	Each
15"	GTG15	Each
18"	GTG18	Each
24"	GTG24	Each
30"	GTG30	Each
36"	GTG36	Each

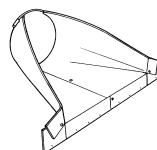
### WATERTIGHT BELL COUPLER GASKETS

Used to connect to Prinsco PVC Catch Basins or Fabricated Fittings

4"	GFGSK04	Each
6"	GFGSK06	Each
8"	GFGSK08	Each
10"	GFGSK10	Each
12"	GFGSK12	Each
15"	GFGSK15	Each
18"	GFGSK18MW	Each
18"	GFGSK18WL	Each
24"	GFGSK24MW	Each
24"	GFGSK24WL	Each
30"	GFGSK30MW	Each

### GOLDFLO WATER STOP GASKET

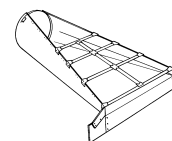
Size	Number	Unit
12"	GFWSG12	Each
15"	GFWSG15	Each
18"	GFWSG18	Each
24"	GFWSG24	Each
30"	GFWSG30	Each
36"	GFWSG36	Each
42"	GFWSG42	Each
48"	GFWSG48	Each
60"	GFWSG60	Each



### STEEL APRONS

Used on projects where 2.5:1 slope is specified. Fits contour and assists water flow through the culvert.

Size	Number	Unit
8"	ES08	Each
10"	ES10	Each
12"	ES12	Each
15"	ES15	Each
18"	ES18	Each
24"	ES24	Each
30"	ES30	Each
36"	ES36	Each
42"	ES42	Each
48"	ES48	Each
60"	ES60	Each



### SAFETY APRONS

Used where 6:1 slopes are required. Available with or without safety grate.

Size	Number	Unit
12"	SA0012	Each
15"	SA0015	Each
18"	SA0018	Each
24"	SA0024	Each

Safety aprons are all special-order items.

### PLASTIC APRONS

High density polyethylene aprons designed for GOLDFLO and GOLDFLO/ECOFLO applications

Size	Number	Unit
12"	PLAP12	Each
15"	PLAP15	Each
18"	PLAP18	Each
24"	PLAP24	Each
30"	PLAP30	Each
36"	PLAP36	Each

### EXTERNAL ENDCAPS

Size	Number	Unit
8"	EC08-GF	Each
10"	EC10-GF	Each
12"	EC12-GF	Each
15"	EC15-GF	Each
18"	EC18-GF	Each
24"	EC24-GF	Each
30"	EC30-GF	Each
36"	EC36-GF	Each
42"	EC42-GF	Each
48"	EC48-GF	Each

### PIPE ADAPTER

Size	Number	Unit
10"	GFA10	Each
12"	GFA12	Each
15"	GFA15	Each
18"	GFA18	Each
24"	GFA24	Each
30"	GFA30	Each
36"	GFA36	Each

### RUBBER FLEXIBLE MANHOLE ADAPTER

Size	Number	Unit
12"	GFAD12MH	Each
15"	GFAD15MH	Each
18"	GFAD18MH	Each
24"	GFAD24MH	Each

### GOLDFLO HDPE X SDR35 SPIGOT ADAPTER

Size	Number	Unit
4"	GFAD04MH-PVC35	Each
6"	GFAD06MH-PVC35	Each
8"	GFAD08MH-PVC35	Each
10"	GFAD10MH-PVC35	Each
12"	GFAD12MH-PVC35	Each
15"	GFAD15MH-PVC35	Each
18"	GFAD18MH-PVC35	Each
24"	GFAD24MH-PVC35	Each

### GOLDFLO HDPE X SCH40 SPIGOT ADAPTER

Size	Number	Unit
4"	GFAD04MH-PVC40	Each
6"	GFAD06MH-PVC40	Each
8"	GFAD08MH-PVC40	Each
10"	GFAD10MH-PVC40	Each
12"	GFAD12MH-PVC40	Each



### STRAIGHT TEE

Size	Number	Unit
2"	T0222	Each / Pkg. 50
3"	T0333	Each / Pkg. 50
4"	T0444	Each / Pkg. 20
5"	T0555	Each / Pkg. 5
6"	T0666	Each / Pkg. 5



### BLIND TEE

Size	Number	Unit
3"	T033B	Each / Pkg. 50
4"	T044B	Each / Pkg. 20
5"	T055B	Each / Pkg. 5
6"	T066B	Each / Pkg. 5
8"	T088B	Each / Pkg. 4
10"	T100B	Each
12"	T120B	Each
15"	T150B	Each
18"	T180B	Each



### REDUCING TEE

Size	Number	Unit
5"	T0554	Each / Pkg. 5
6"	T0654	Each / Pkg. 5
8"	T0888	Each / Pkg. 4
10"	T1010	Each
12"	T1212	Each
15"	T1515	Each
18"	T1818	Each



### 4" x 3" COMBO TEE

Size	Number	Type	Unit
3"-4"	T0434	Co. Straight	Ea./Pkg. 25
3"-4"	T043B	Co. Blind	Ea./Pkg. 25



### TAP TEE

Size	Number	Type	Unit
4"	TT04S	Short	Each
4"	TT04L	Long	Each
5"	TT05S	Short	Each
5"	TT05L	Long	Each
6"	TT06S	Short	Each
6"	TT06L	Long	Each



### 90° ELBOW

For larger sizes (5"-15"), use a blind tee.

Size	Number	Unit
3"	E03	Each / Pkg. 25
4"	E04	Each / Pkg. 25



### WYE

Size	Number	Unit
3"	Y03	Each / Pkg. / 25
4"	Y04	Each / Pkg. / 15
5"	Y05	Each / Pkg. / 5
6"	Y06	Each / Pkg. / 5
8"	HB08Y	Each

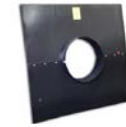


### STEP DOWN REDUCER

Size	Number	Unit
4" x 3"	R043	Each / Pkg. 25
5" x 4"	R054	Each / Pkg. 25
6" x 4"	R064	Each / Pkg. 25
6" x 5"	R065	Each / Pkg. 25
6" x 5" x 4"	R0654	Each / Pkg. 50
8" x 6"	R086	Each
10" x 8"	R108	Each / Pkg. 5
10" x 8" x 6"	R1086	Each / Pkg. 5
12" x 10"	R1210	Each / Pkg. 5
12" x 10" x 8"	R12108	Each / Pkg. 5
15" x 12"	R1512	Each
18" x 15"	R1815	Each

### PLASTIC TIES

Number	Unit
Use with 8"-15" Coupler	
TIE01	Pkg. of 100
Use with 18"-36" Coupler	
TIE02	Pkg. of 50



### \*4' x 4' NO-SEEP COLLARS™

Four-foot square sheet of high density plastic fastened with stainless steel bolts.

Size	Number	Unit
4"	NSC4404	Each
6"	NSC4406	Each
8"	NSC4408	Each
10"	NSC4410	Each
12"	NSC4412	Each
15"	NSC4415	Each
18"	NSC4418	Each
24"	NSC4424	Each

\*special order item

### \*5' x 5' NO-SEEP COLLARS™

Five-foot square sheet of high density plastic fastened with stainless steel bolts.

Size	Number	Unit
4"	NSC5504	Each
6"	NSC5506	Each
8"	NSC5508	Each
10"	NSC5510	Each
12"	NSC5512	Each
15"	NSC5515	Each
18"	NSC5518	Each
24"	NSC5524	Each

\*special order item

### \*6' x 6' NO-SEEP COLLARS™

Six-foot square sheet of high density plastic fastened with stainless steel bolts.

Size	Number	Unit
4"	NSC6604	Each
6"	NSC6606	Each
8"	NSC6608	Each
10"	NSC6610	Each
12"	NSC6612	Each
15"	NSC6615	Each
18"	NSC6618	Each
24"	NSC6624	Each

\*special order item



### INTERNAL END PLUG

Size	Number	Unit
3"	P03	Each / Pkg. 50
4"	P04	Each / Pkg. 50
5"	P05	Each / Pkg. 25
6"	P06	Each / Pkg. 20
8"	P08	Each / Pkg. 10



### EXTERNAL END CAP PLUG

Size	Number	Unit
3"	EC03	Each / Pkg. 50
4"	EC04	Each / Pkg. 50
6"	EC06	Each / Pkg. 20
8"	EC08	Each / Pkg. 10
10"	EC10	Each / Pkg. 10
12"	EC12	Each
15"	EC15	Each
18"	EC18	Each
24"	EC24	Each



### INTERNAL SNAP COUPLER

Size	Number	Unit
3"	IC03	Each / Pkg. 50
4"	IC04	Each / Pkg. 50
5"	IC05	Each / Pkg. 25
6"	IC06	Each / Pkg. 20
8"	IC08	Each / Pkg. 10
10"	IC10	Each / Pkg. 5
12"	IC12	Each / Pkg. 5



### EXTERNAL SNAP COUPLER

Size	Number	Unit
3"	SN03	Each / Pkg. 50
4"	SN04	Each / Pkg. 50
6"	SN06	Each / Pkg. 25
8"	SN08	Each / Pkg. 5
10"	GFSLV10	Each



### CLAY ADAPTER

Adapts between corrugated pipe and clay, concrete or PVC.

Size	Number	Unit
3"	CA03	Each
4"	CA04	Each
5"	CA05	Each
6"	CA06	Each
8"	CA08	Each
10"	CA10	Each
12"	CA12	Each
15"	CA15	Each
18"	CA18	Each



### SOIL-TIGHT COUPLER

Size	Number	Unit
3"	SC03	Each / Pkg. 75
4"	SC04	Each / Pkg. 50
5"	SC05	Each / Pkg. 75
6"	SC06	Each / Pkg. 50
8"	SC08	Each / Pkg. 25
10"	SC10	Each
12"	SC12	Each
15"	SC15	Each
18"	SC18	Each
24"	SC24	Each



### DOWNSPOUT ADAPTER

Size	Number	Unit
3" x 3" x 2"	AD332	Each
4" x 3" x 2"	AD432	Each
4" x 4" x 3"	AD443	Each
4" x 2.5" x 2.5"	AD42525	Each
6" x 6" x 4"	AD664	Each

### CATCH BASINS

Prinsco catch basins are primarily used with GOLDLINE single-wall pipe on golf courses, athletic fields, patios, lawns and parks.



### 12" SQUARE CATCH BASIN



6" EXTENSION



6" OUTLET

### SQUARE CATCH BASIN & ACCESSORIES

The grate fits inside the top of the box to make a 12" x 12" receptacle area. The extension makes the catch basin six inches deeper. Stack several of them to increase the height.

Number	Item
CBS012	12" Catch Basin: Two Outlet
CBSG12	12" Square Grate
CBP006	Plug for 12" Catch Basin
CBS034	3"-4" Outlet for 12" Catch Basin
CBS006	6" Outlet for 12" Catch Basin
CBSX12	6" Ext. for 12" Catch Basin







1717 16TH STREET NE  
WILLMAR, MN 56201  
800.992.1725  
WWW.PRINSCO.COM

FIND US ON:



★ Manufacturing Plants  
● Yards

PRINSCO DELIVERS QUALITY

**Prinsco delivers quality from manufacturing right down to the service we provide on delivery.**

The chart to the right gives approximate full-load quantities for a Prinsco 53-foot trailer. The quantities may vary according to the length of the trailer or if common carriers are employed for shipment. In mixed-size load situations, calculate the percentage of the load that each size will constitute. Then total the percentages to determine the extent of the load. If pipe lengths are shipped, small diameter pipe may be nested inside the larger sizes. This will maximize load quantities and reduce freight costs. The chart is strictly "rule of thumb" to give you a general idea of load quantities. For more specific figures, call our customer service department.

DIAMETER	UNIT	UNITS PER LOAD	FOOTAGE
----------	------	----------------	---------

GOLDLINE CORRUGATED PIPE:			
3"	Micro	260	26,000
	Mini	88	26,400
4"	Micro	170	17,000
	Mini	76	19,000
5"	Mini	76	12,540
6"	Mini	76	7,600
8"	20' Lengths	266	5,320
10"	20' Lengths	180	3,600
12"	20' Lengths	120	2,400
15"	20' Lengths	70	1,400

ECOFLO 100 / GOLDFLO DUAL-WALL PIPE:			
12"	10' Lengths	289	2,890
	20' Lengths	120	2,400
15"	10' Lengths	195	1,950
	20' Lengths	80	1,600
18"	11' Lengths	92	1,012
	20' Lengths	48	960
24"	11' Lengths	57	627
	20' Lengths	30	600

**NESTING/TELESCOPING:**

All sizes through 36" will nest in the next larger size.

**FITTINGS:**

Many of our fittings and accessories are packed in bags or bundles. For quantity packs, refer to catalog pages.